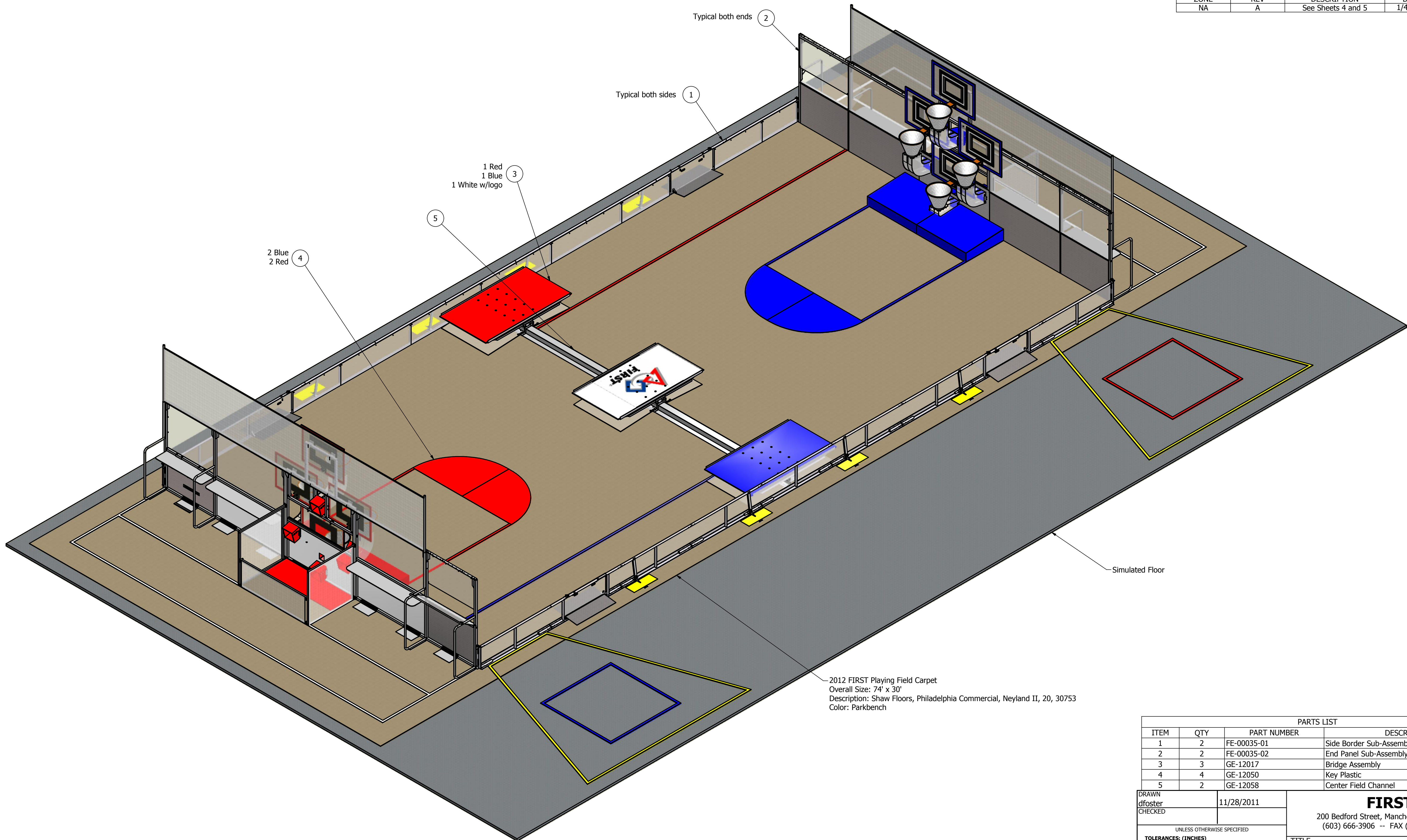


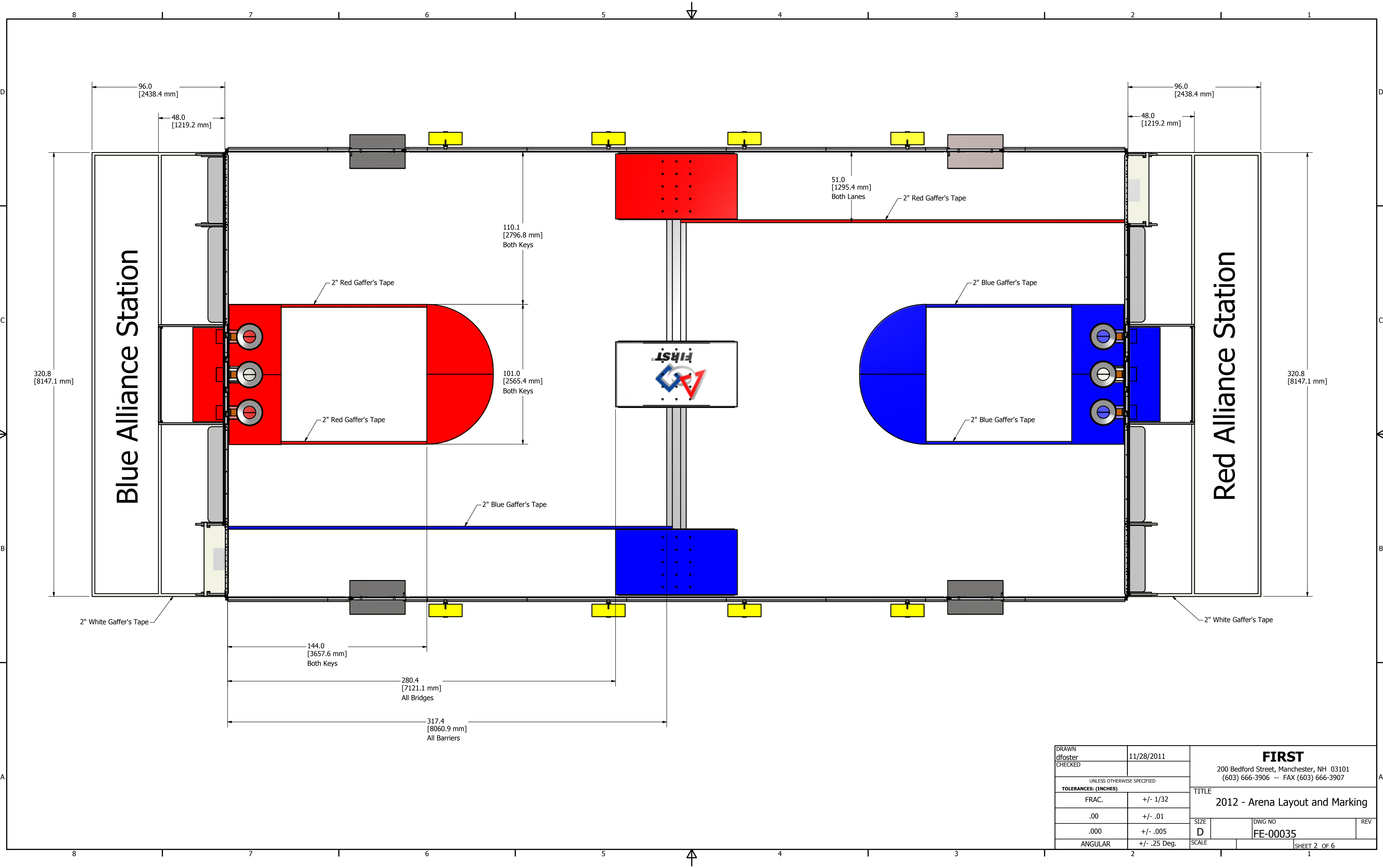
REVISION HISTORY				
ZONE	REV	DESCRIPTION	DATE	APPROVED
NA	A	See Sheets 4 and 5	1/4/2012	DAF



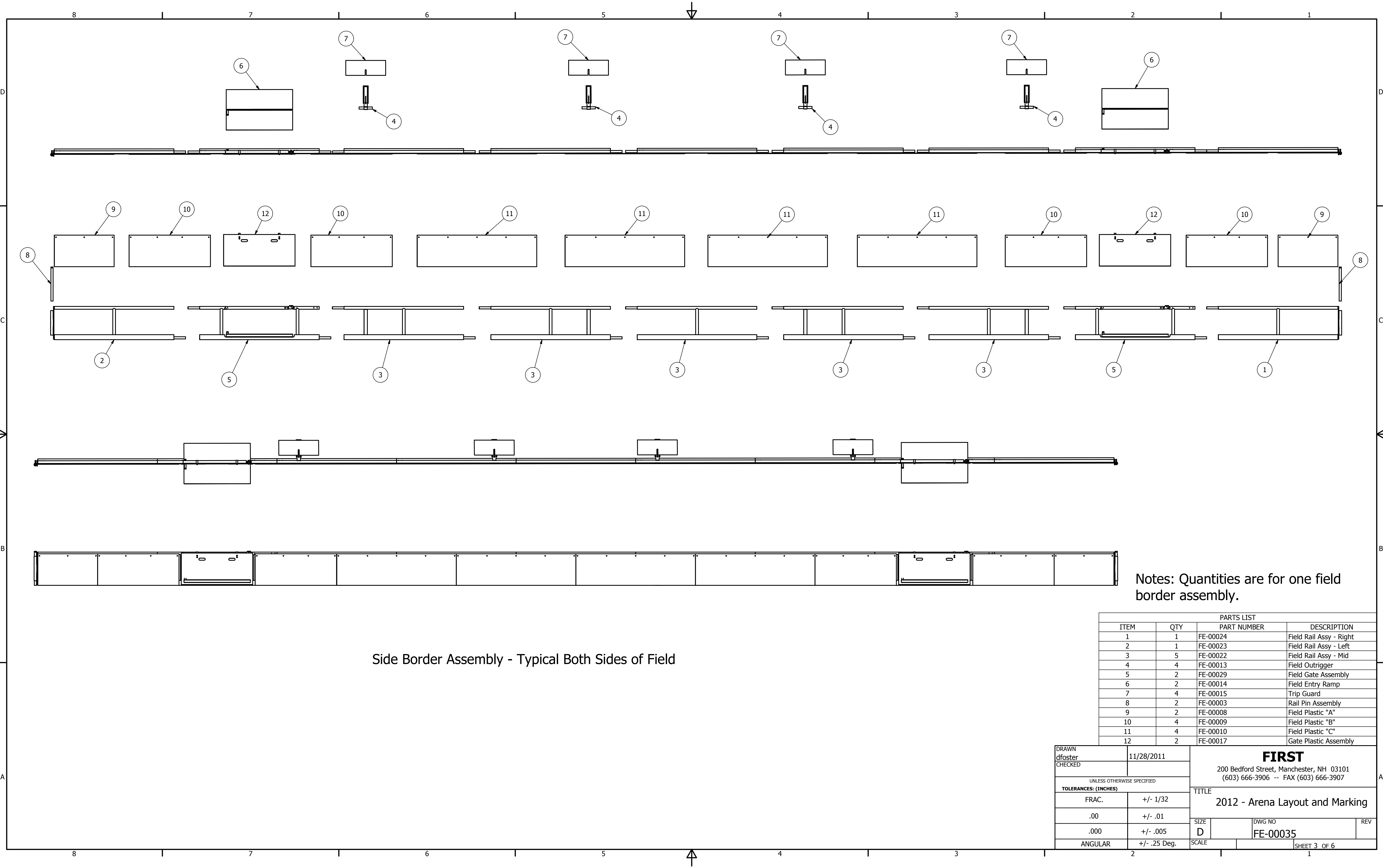
2012 FIRST Playing Field Carpet
 Overall Size: 74' x 30'
 Description: Shaw Floors, Philadelphia Commercial, Neyland II, 20, 30753
 Color: Parkbench

PARTS LIST			
ITEM	QTY	PART NUMBER	DESCRIPTION
1	2	FE-00035-01	Side Border Sub-Assembly (see Sheet 3)
2	2	FE-00035-02	End Panel Sub-Assembly (see Sheet 4 and 5)
3	3	GE-12017	Bridge Assembly
4	4	GE-12050	Key Plastic
5	2	GE-12058	Center Field Channel

DRAWN dfoster	11/28/2011	FIRST 200 Bedford Street, Manchester, NH 03101 (603) 666-3906 -- FAX (603) 666-3907
CHECKED		
UNLESS OTHERWISE SPECIFIED		TITLE
TOLERANCES: (INCHES)		2012 - Arena Layout and Marking
FRAC.	+/- 1/32	SIZE
.00	+/- .01	DWG NO
.000	+/- .005	FE-00035
ANGULAR	+/- .25 Deg.	SCALE
		SHEET 1 OF 6



DRAWN dfoster	11/28/2011	FIRST 200 Bedford Street, Manchester, NH 03101 (603) 666-3906 -- FAX (603) 666-3907	
CHECKED			
UNLESS OTHERWISE SPECIFIED		TITLE	
TOLERANCES: (INCHES)		2012 - Arena Layout and Marking	
FRAC.	+/- 1/32	SIZE	DWG NO
.00	+/- .01	D	FE-00035
.000	+/- .005	SCALE	REV
ANGULAR	+/- .25 Deg.		
		SHEET 2 OF 6	



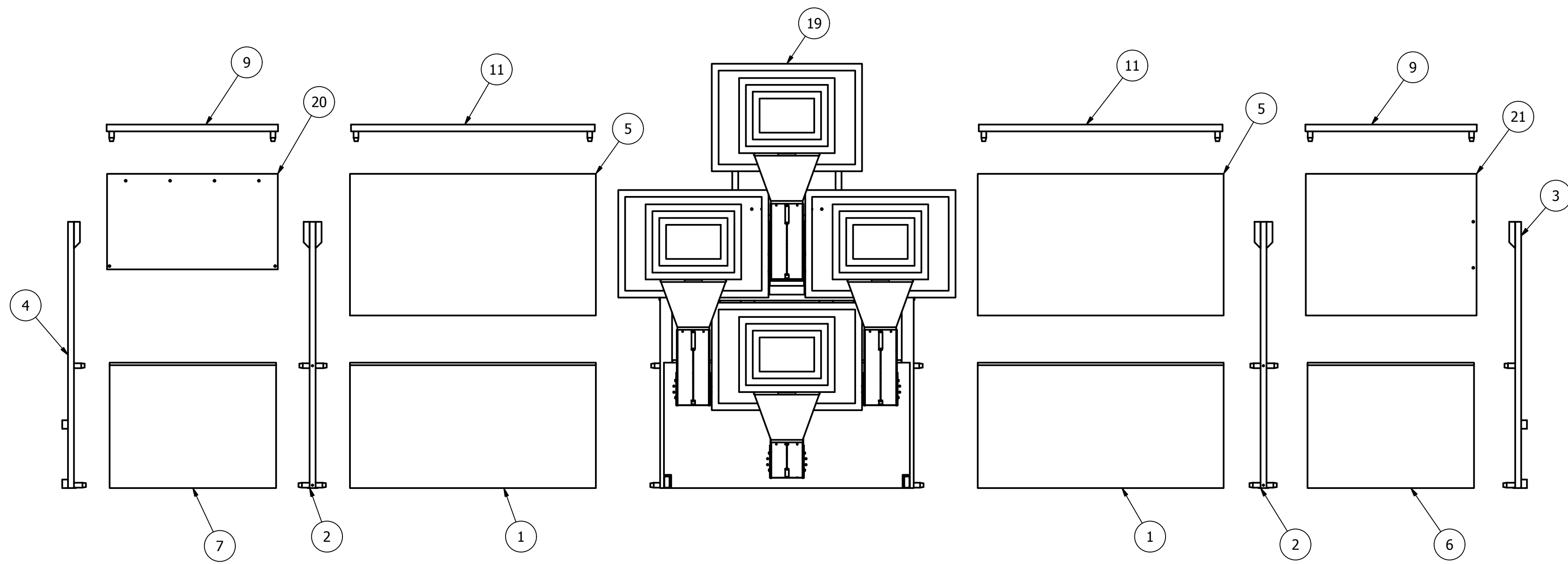
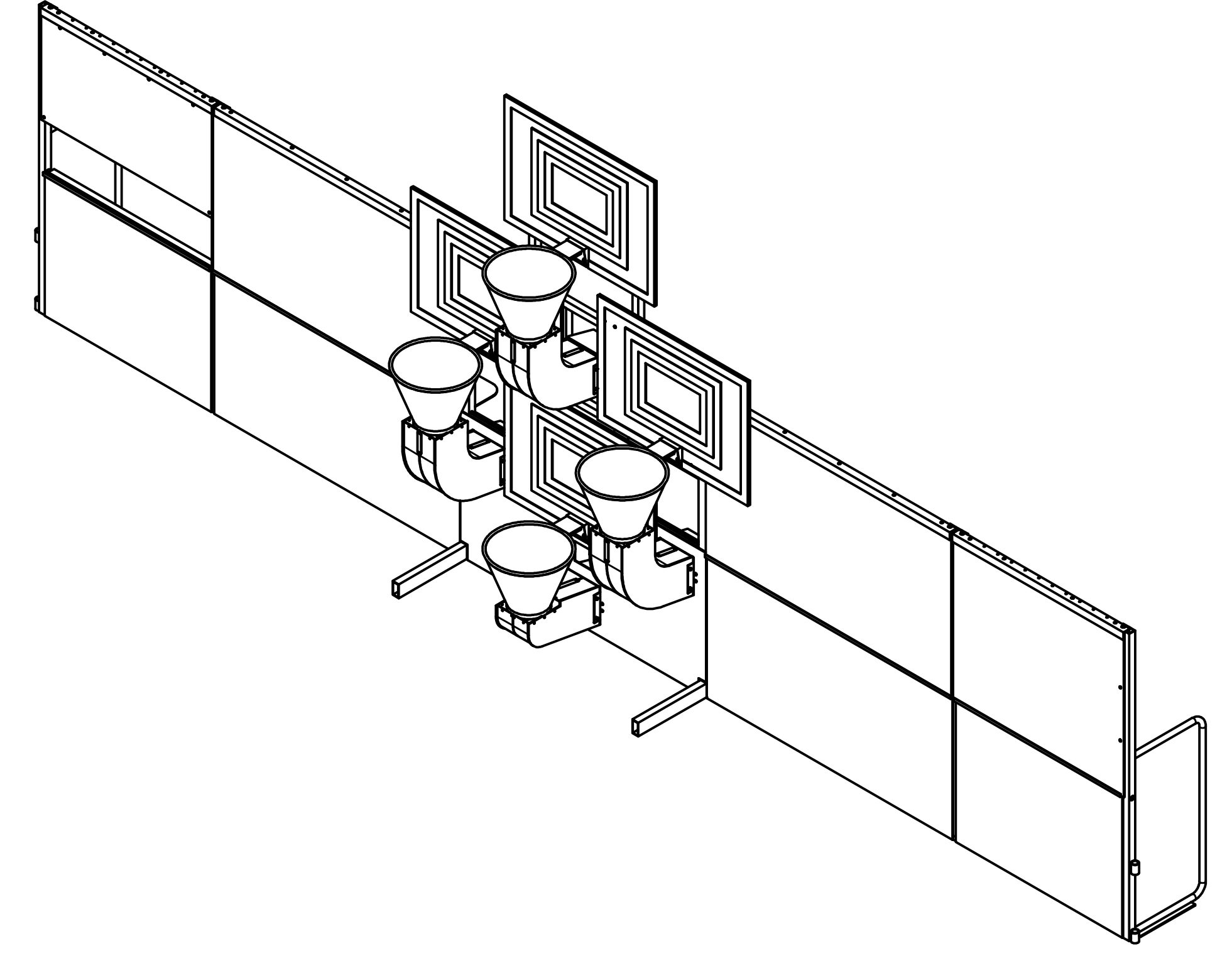
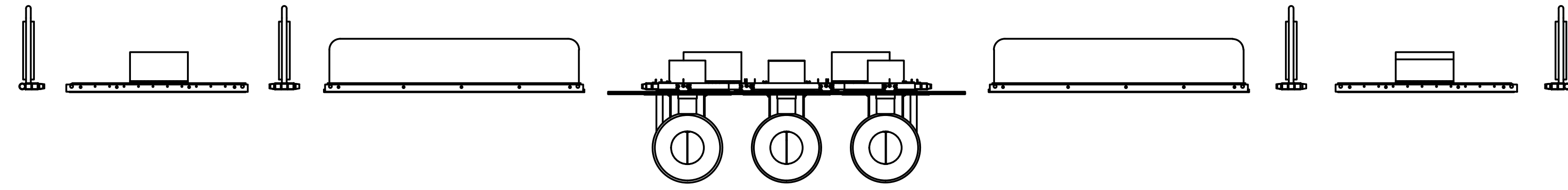
Side Border Assembly - Typical Both Sides of Field

Notes: Quantities are for one field border assembly.

PARTS LIST			
ITEM	QTY	PART NUMBER	DESCRIPTION
1	1	FE-00024	Field Rail Assy - Right
2	1	FE-00023	Field Rail Assy - Left
3	5	FE-00022	Field Rail Assy - Mid
4	4	FE-00013	Field Outrigger
5	2	FE-00029	Field Gate Assembly
6	2	FE-00014	Field Entry Ramp
7	4	FE-00015	Trip Guard
8	2	FE-00003	Rail Pin Assembly
9	2	FE-00008	Field Plastic "A"
10	4	FE-00009	Field Plastic "B"
11	4	FE-00010	Field Plastic "C"
12	2	FE-00017	Gate Plastic Assembly

DRAWN dfoster	11/28/2011	FIRST 200 Bedford Street, Manchester, NH 03101 (603) 666-3906 -- FAX (603) 666-3907	
CHECKED			
UNLESS OTHERWISE SPECIFIED		TITLE	
TOLERANCES: (INCHES)		2012 - Arena Layout and Marking	
FRAC.	+/- 1/32	SIZE	DWG NO
.00	+/- .01	D	FE-00035
.000	+/- .005	SCALE	REV
ANGULAR	+/- .25 Deg.		

REVISION HISTORY				
ZONE	REV	DESCRIPTION	DATE	APPROVED
A-2	A	Added Item 34	1/4/2012	DAF



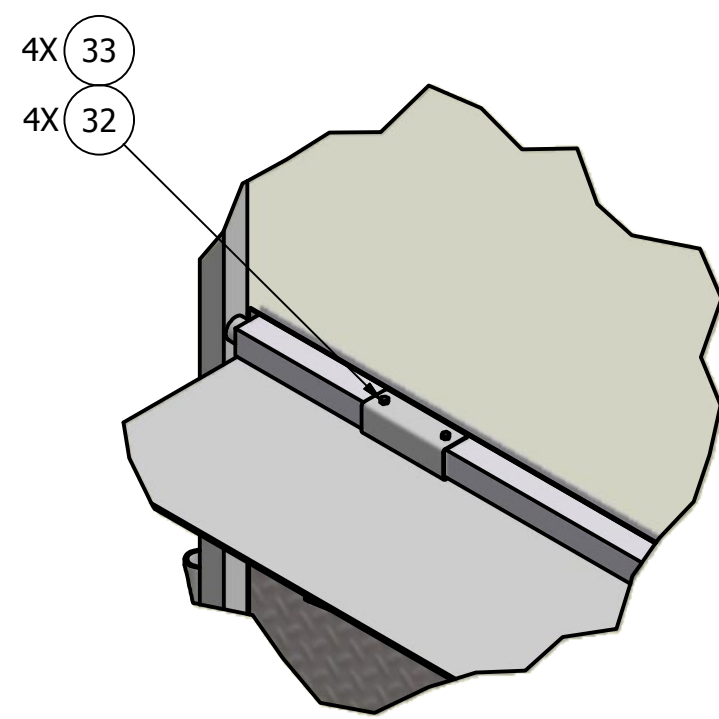
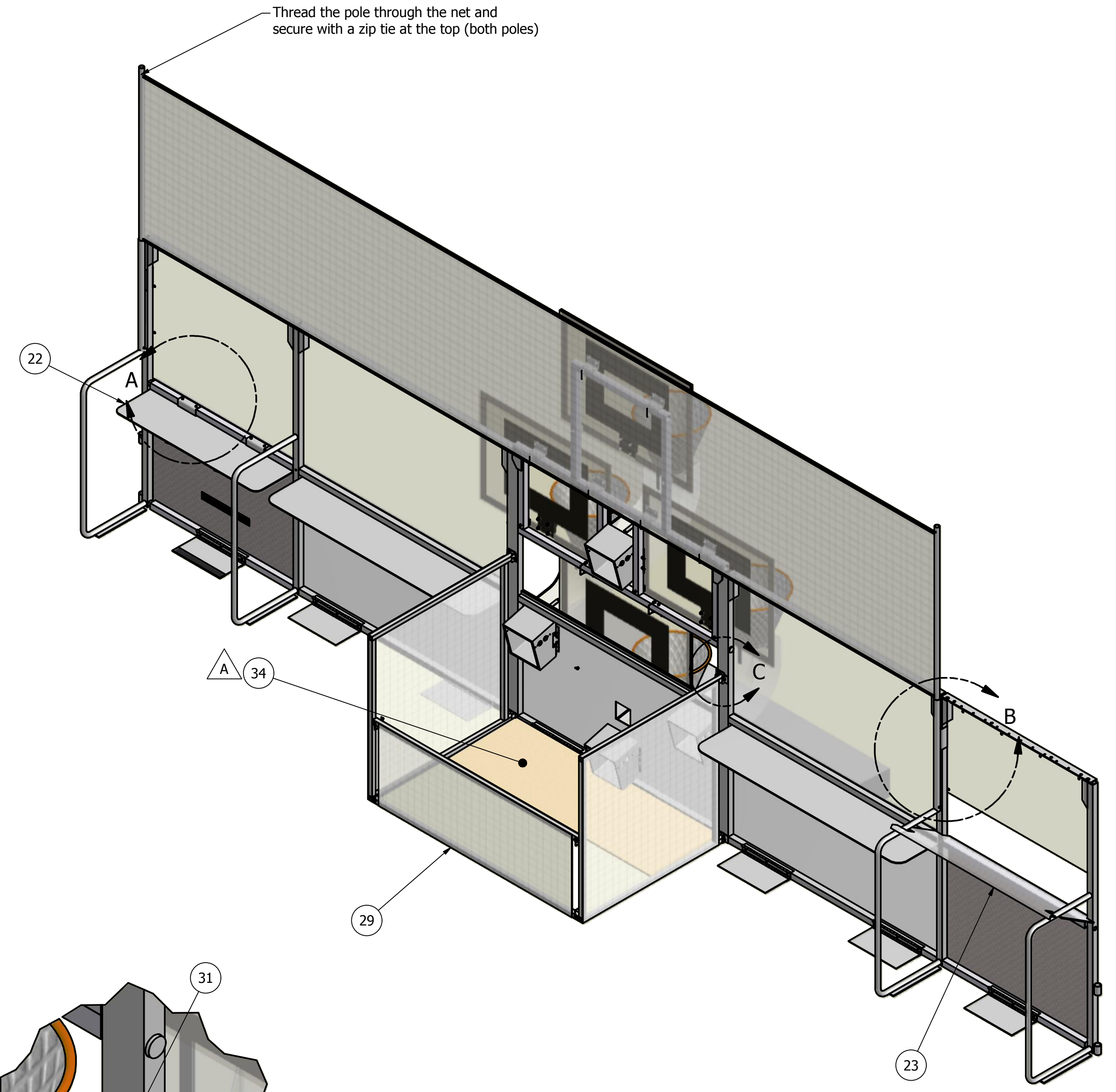
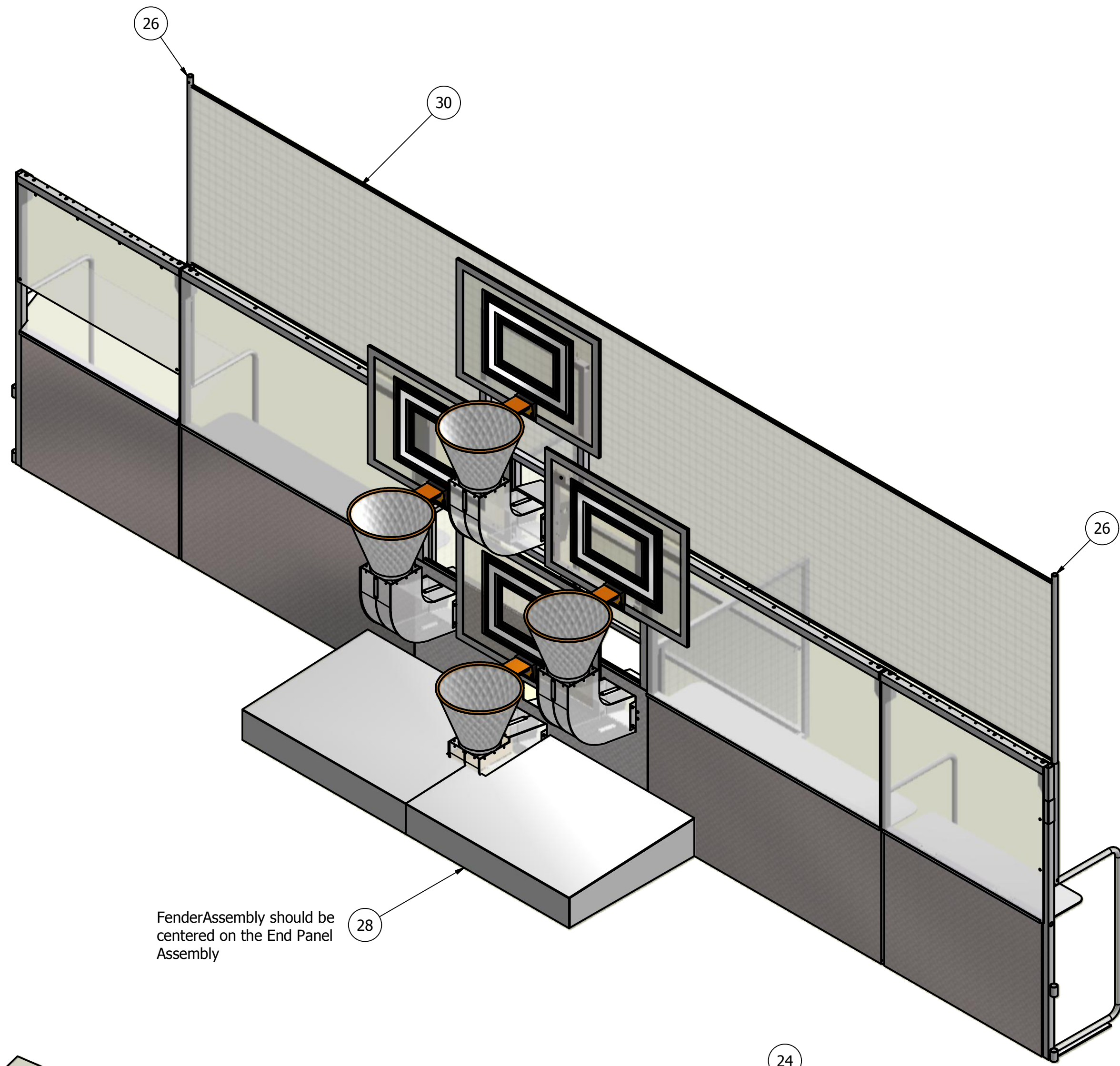
End Panel Assembly (Step 1) - Typical Both Sides of Field

Notes: Quantities are for one end panel assembly.

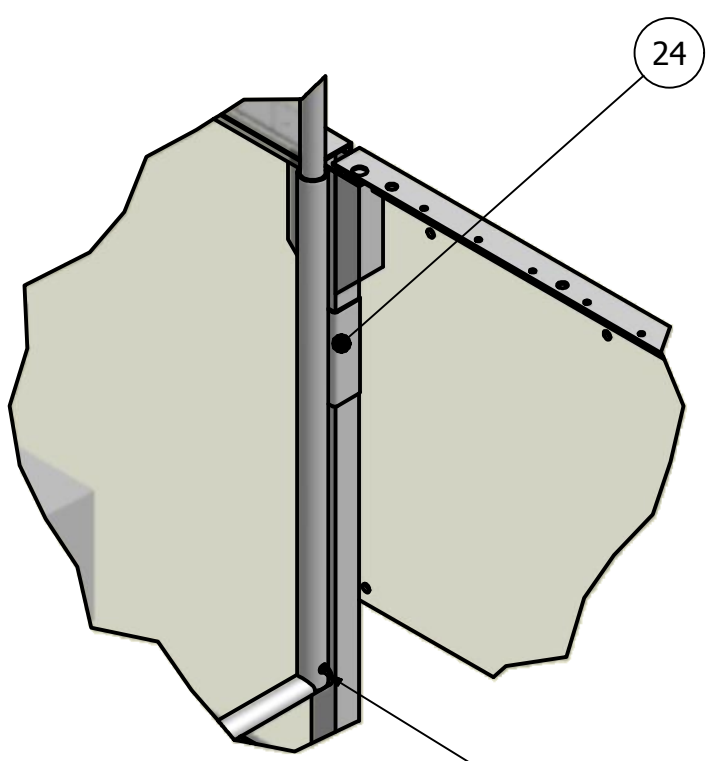
PARTS LIST			
ITEM	QTY	PART NUMBER	DESCRIPTION
1	2	FE-00004	End Panel
2	2	FE-00001	Driver's Station Support Assy
3	1	FE-00002 (right version)	Corner Support
4	1	FE-00002 (left version)	Corner Support
5	2	FE-00012	Drivers Station Acrylic
6	1	GE-11041 (right version)	Modified End Panel Corner
7	1	GE-11041 (left version)	Modified End Panel Corner
9	2	GE-09031	Top Rail - Corner
11	2	FE-00007	Field Top Rail Assy
19	1	GE-12096	Basketball Hoop Assembly
20	1	GE-12051	Inbound Plastic
21	1	GE-12055	Glass, Corner Driver Station
22	1	GE-12053	Shelf Assembly
23	1	GE-12060	Human Player Station Guard
24	2	GE-12057	Outer Tube, Net Support (1 left, 1 right)
26	2	GE-12056	Inner Tube
28	1	GE-12078	Fender Assembly
29	1	GE-12091	Corral Assembly
30	1	GE-12104	Net, End Panel
31	4	HW-00005	Retainer pin 1/4" x 2-1/2" long
32	4	HW-00063	HHCS 1/4-20 x 2.5" Zinc Plate
33	4	HW-00002	Nut, Lock 1/4-20
34	1	GE-12105	Corral Ramp

DRAWN dfoster	11/28/2011	FIRST 200 Bedford Street, Manchester, NH 03101 (603) 666-3906 -- FAX (603) 666-3907		
CHECKED				
UNLESS OTHERWISE SPECIFIED		TITLE		
TOLERANCES: (INCHES)		2012 - Arena Layout and Marking		
FRAC.	+/- 1/32	SIZE	DWG NO	REV
.00	+/- .01	D	FE-00035	
.000	+/- .005	SCALE	SHEET 4 OF 6	
ANGULAR	+/- .25 Deg.			

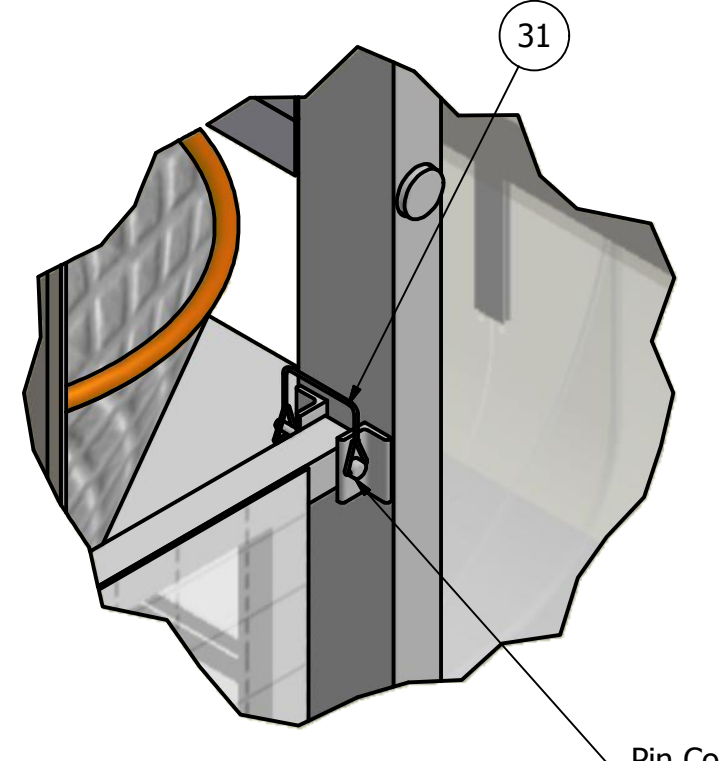
REVISION HISTORY				
ZONE	REV	DESCRIPTION	DATE	APPROVED
C-4	A	Added Item 34	1/4/2012	DAF



DETAIL A
SCALE 1 / 10



DETAIL B
SCALE 1 / 10
Typical both ends of the End Panel Assembly



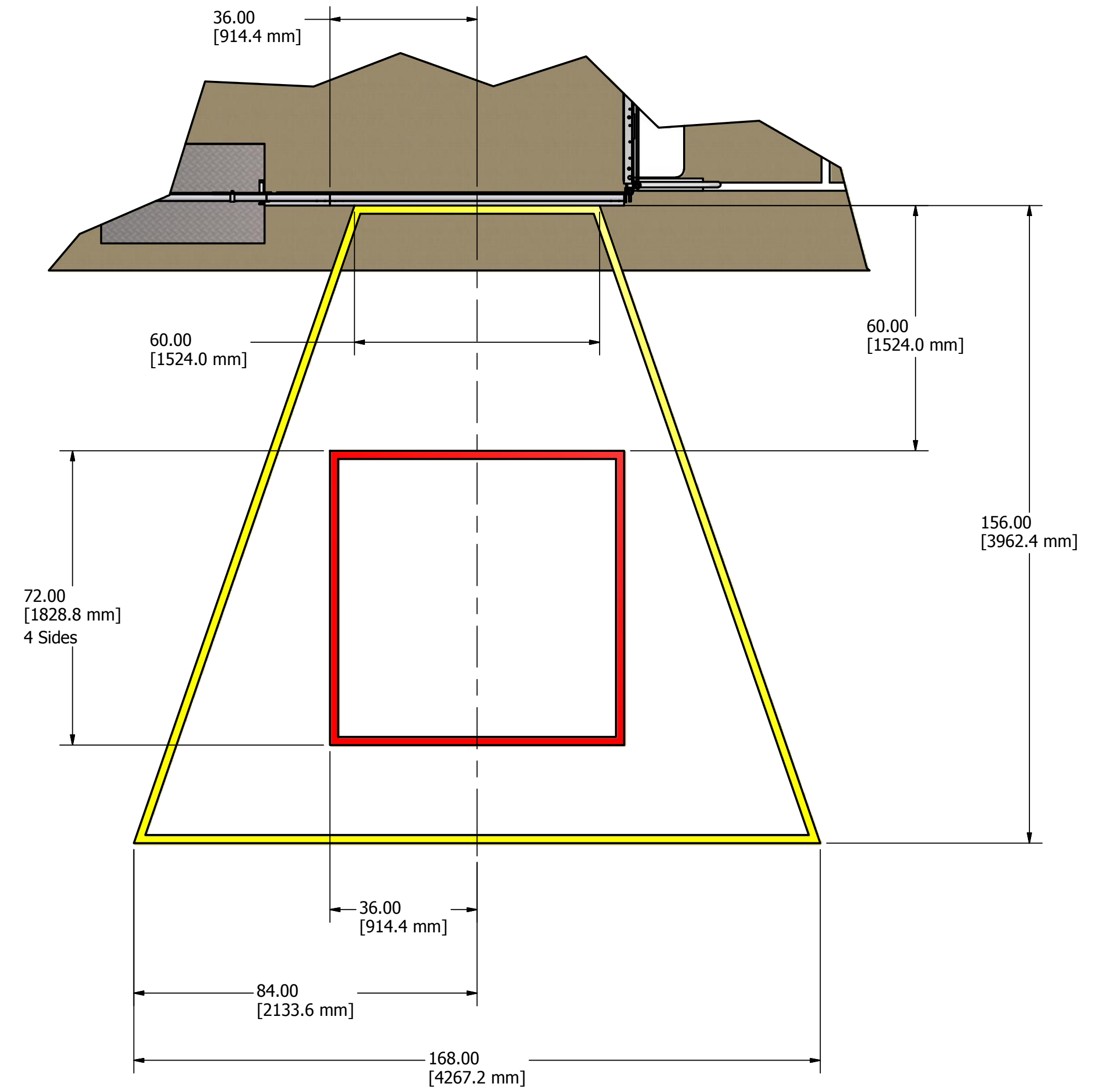
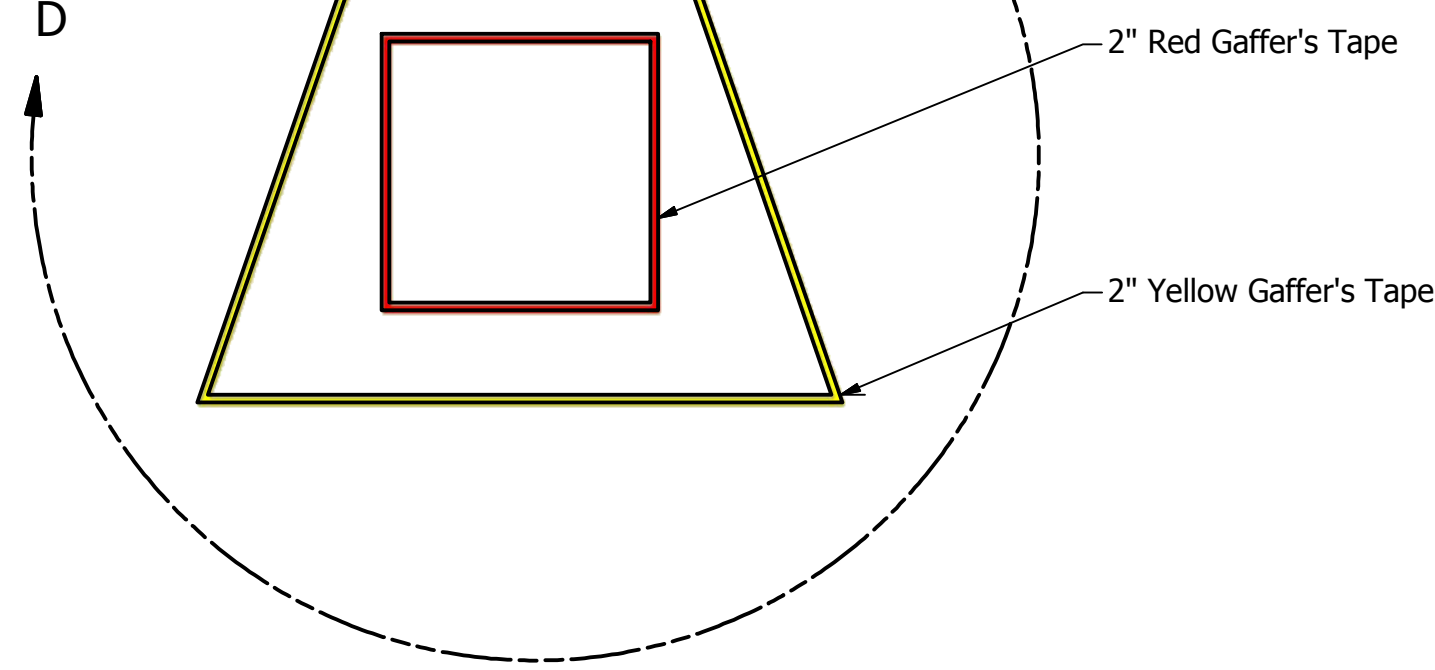
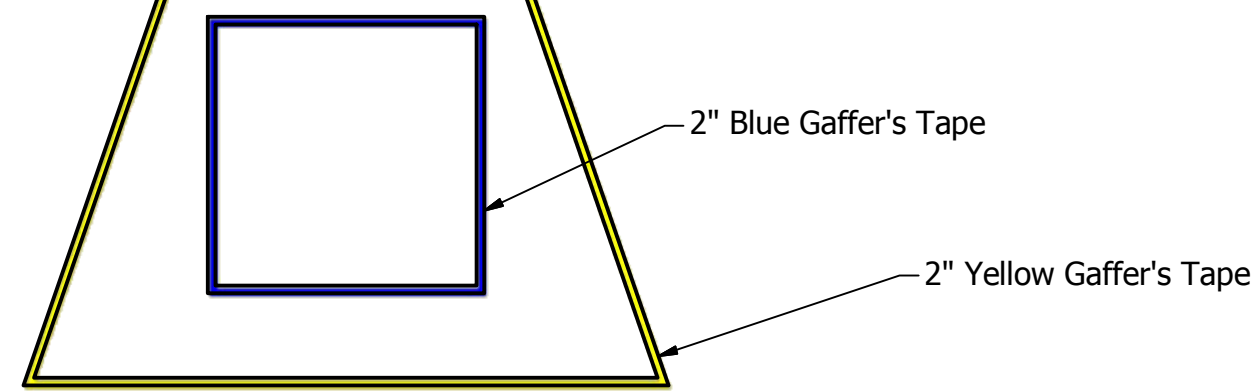
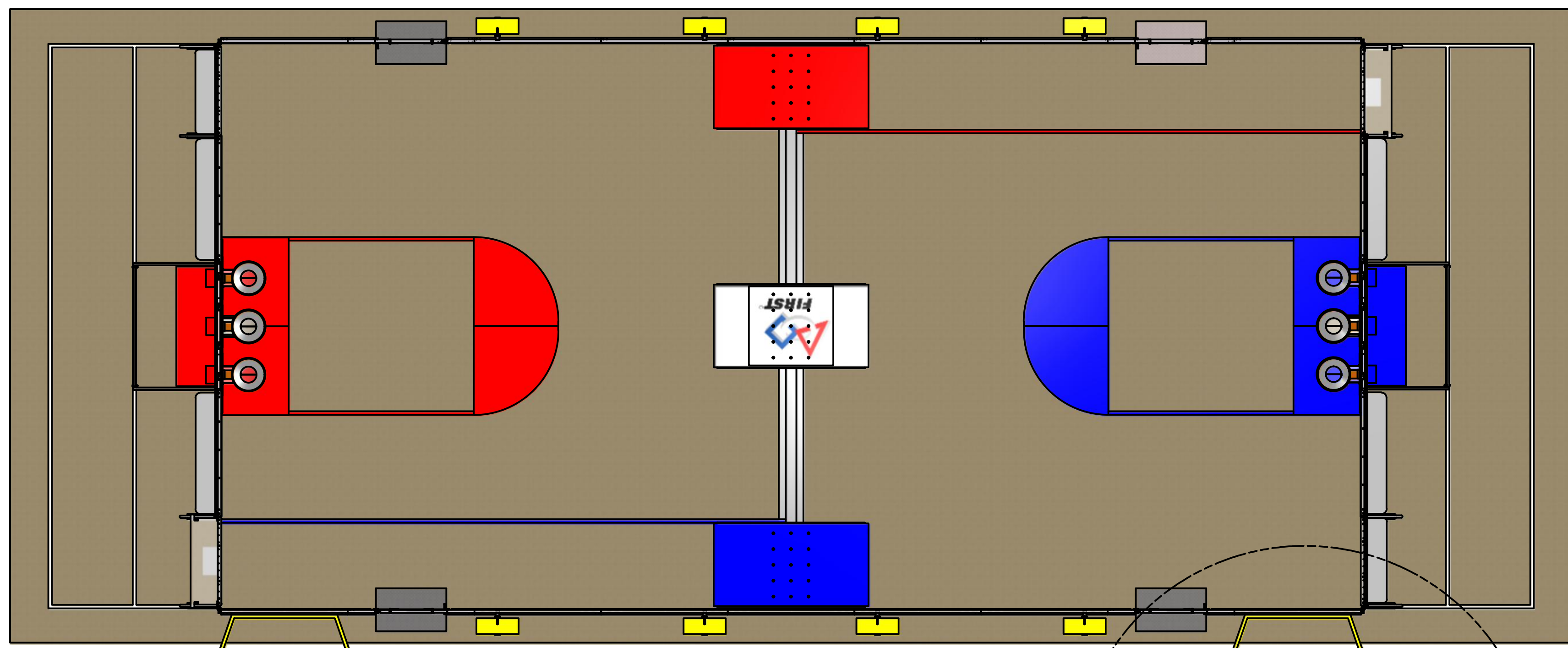
DETAIL C
SCALE 1/5

Pin Corral to Uprights at 4 locations.

Fender Assembly should be centered on the End Panel Assembly

End Panel Assembly (Step 2) - Typical Both Sides of Field

DRAWN dfoster	11/28/2011	FIRST 200 Bedford Street, Manchester, NH 03101 (603) 666-3906 -- FAX (603) 666-3907		
CHECKED				
UNLESS OTHERWISE SPECIFIED		TITLE 2012 - Arena Layout and Marking		
TOLERANCES: (INCHES)		SIZE D	DWG NO FE-00035	REV
FRAC.	+/- 1/32	SCALE		
.00	+/- .01	SHEET 5 OF 6		
.000	+/- .005			
ANGULAR	+/- .25 Deg.			



DETAIL D
SCALE 1 / 25

DRAWN dfoster	11/28/2011	FIRST 200 Bedford Street, Manchester, NH 03101 (603) 666-3906 -- FAX (603) 666-3907	
CHECKED			
UNLESS OTHERWISE SPECIFIED		TITLE 2012 - Arena Layout and Marking	
TOLERANCES: (INCHES)		SIZE D	DWG NO FE-00035
FRAC.	+/- 1/32	SCALE	REV
.00	+/- .01		
.000	+/- .005		
ANGULAR	+/- .25 Deg.		